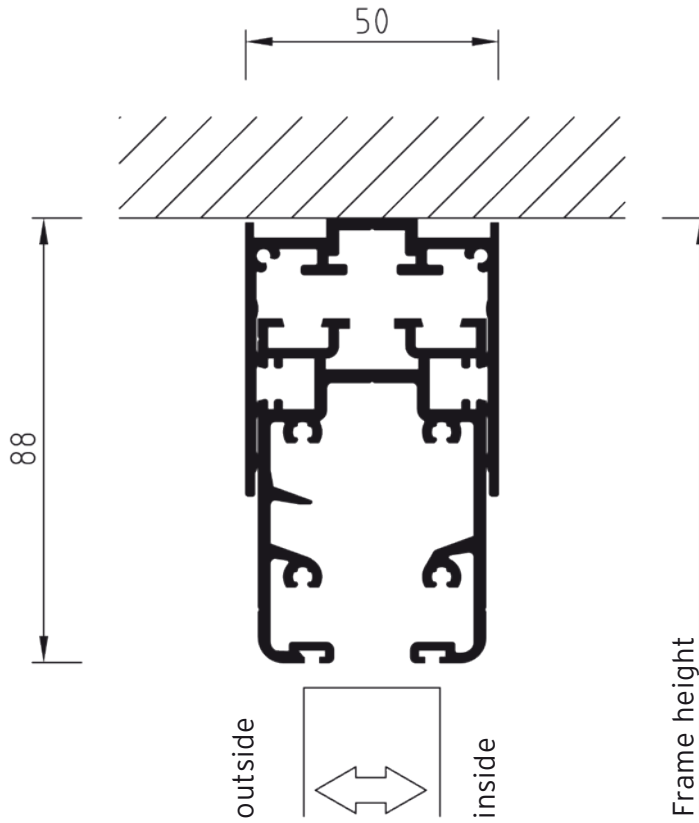
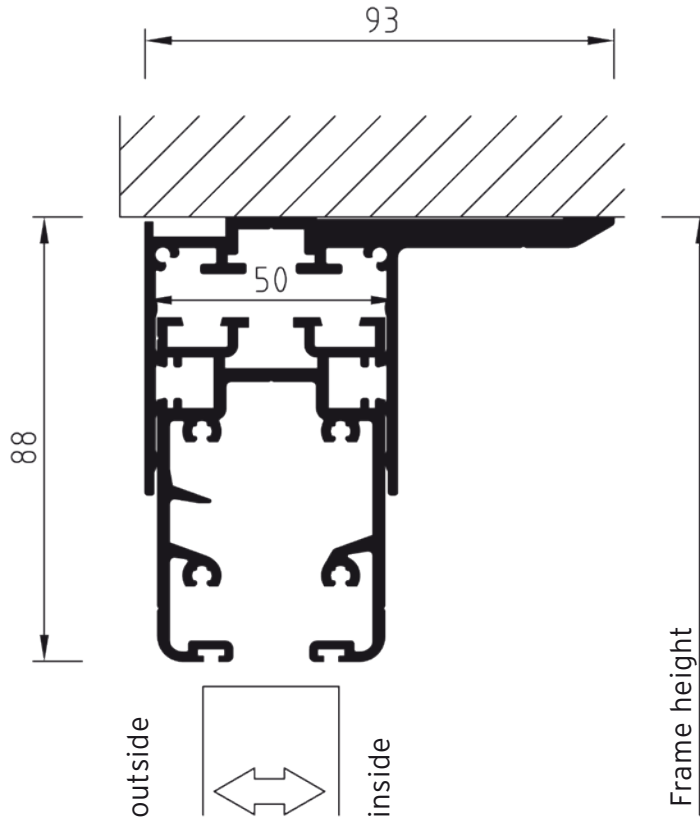


Example 1

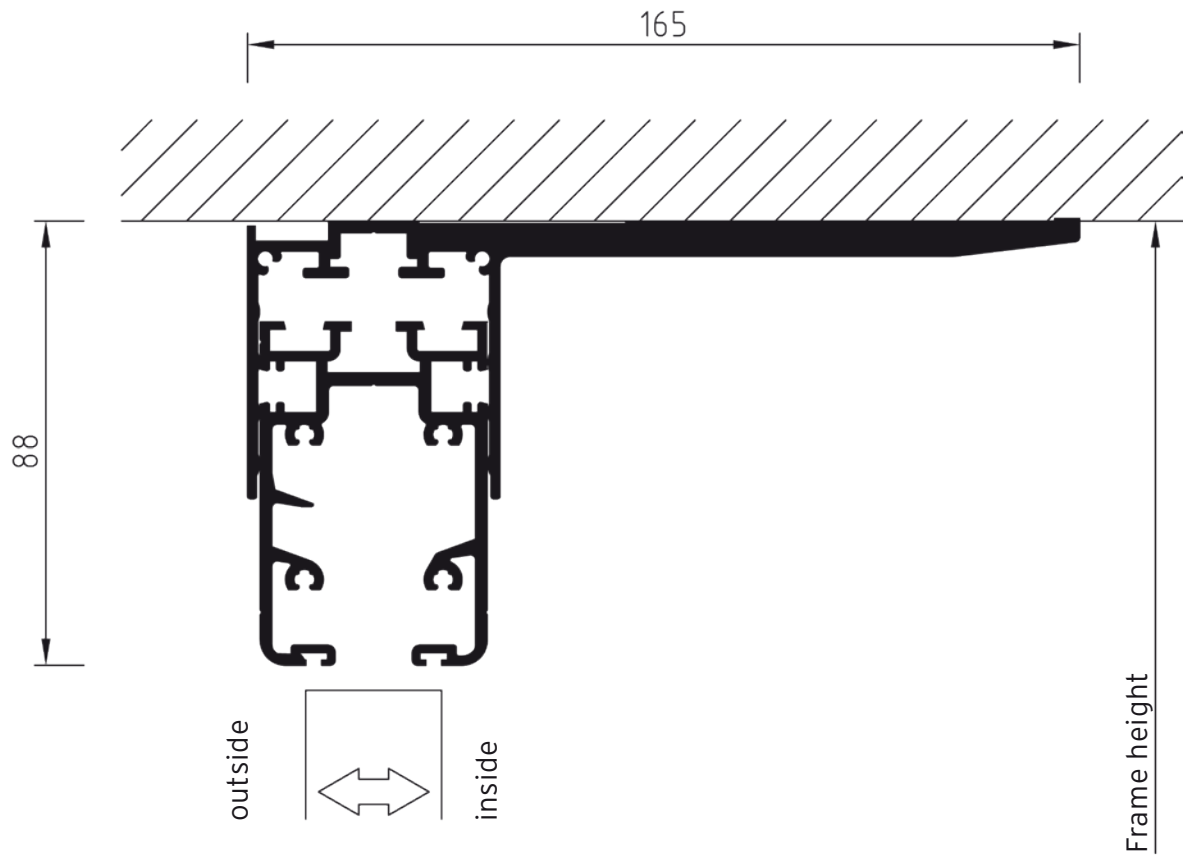


Example 2

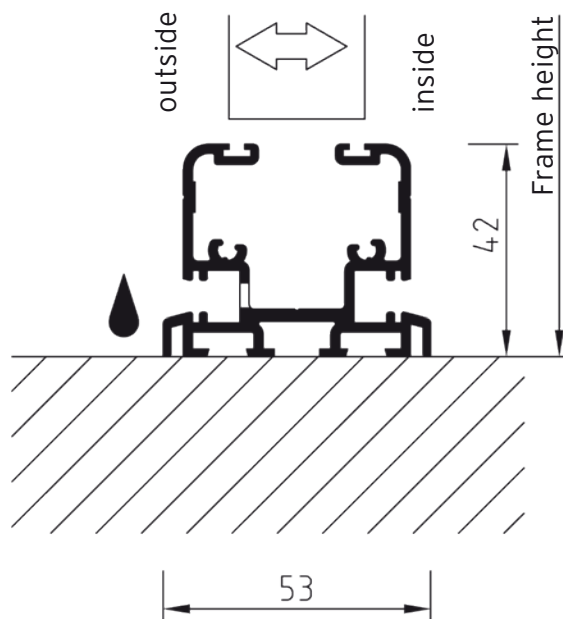


Please note that the above examples for the transition between unit and the structure of the building do not show the details of attachment, sealing and bedding (to ensure hard-wearing flooring).

Example 3

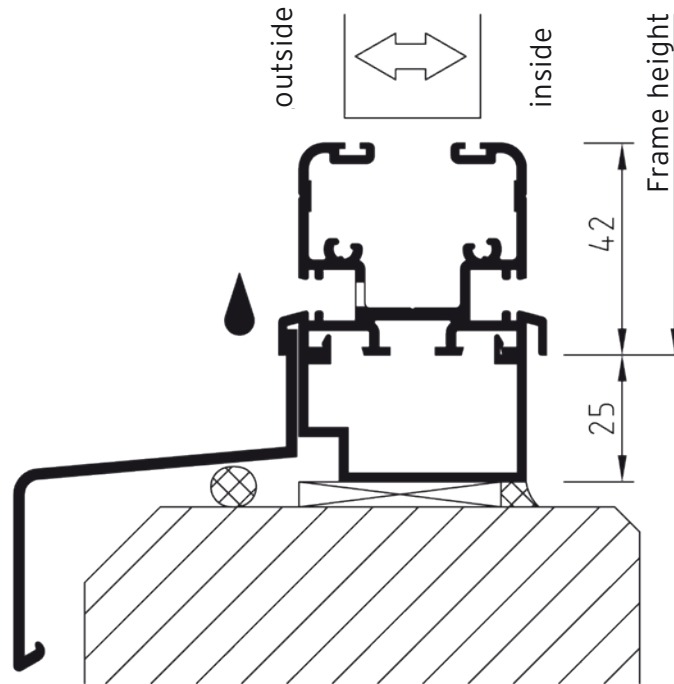


Example 4

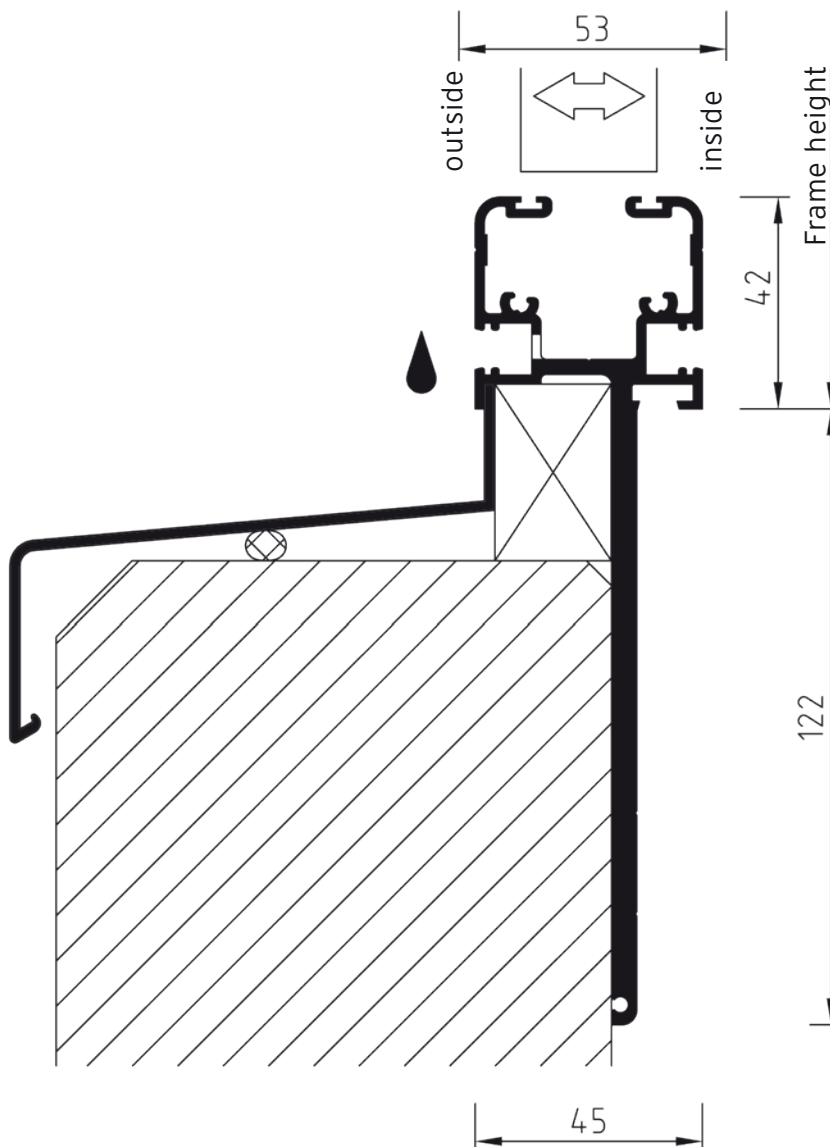


Please note that the above examples for the transition between unit and the structure of the building do not show the details of attachment, sealing and bedding (to ensure hard-wearing flooring).

Example 5

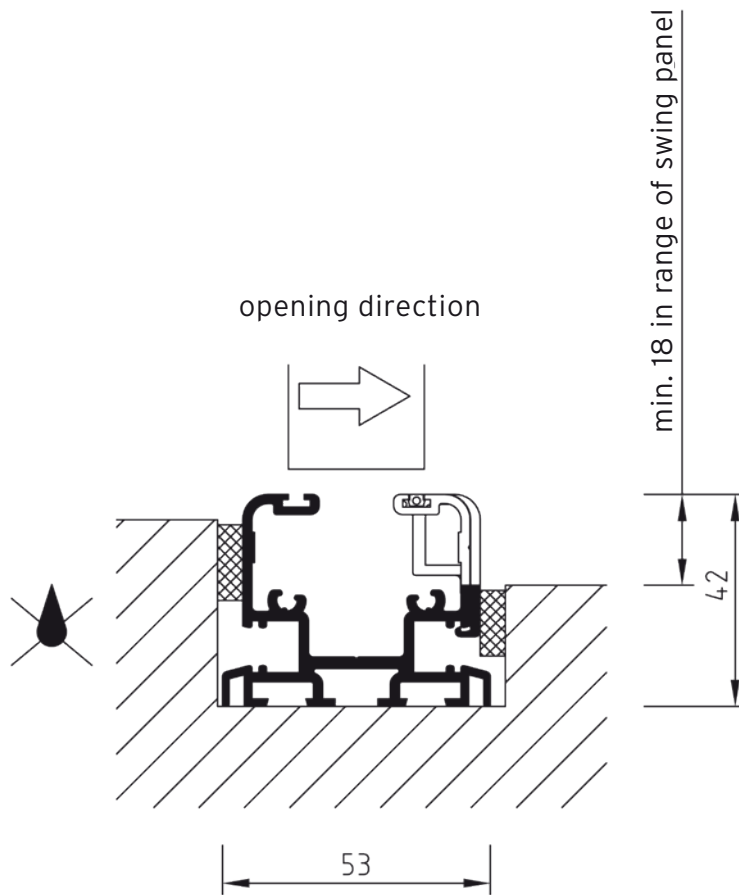


Example 6



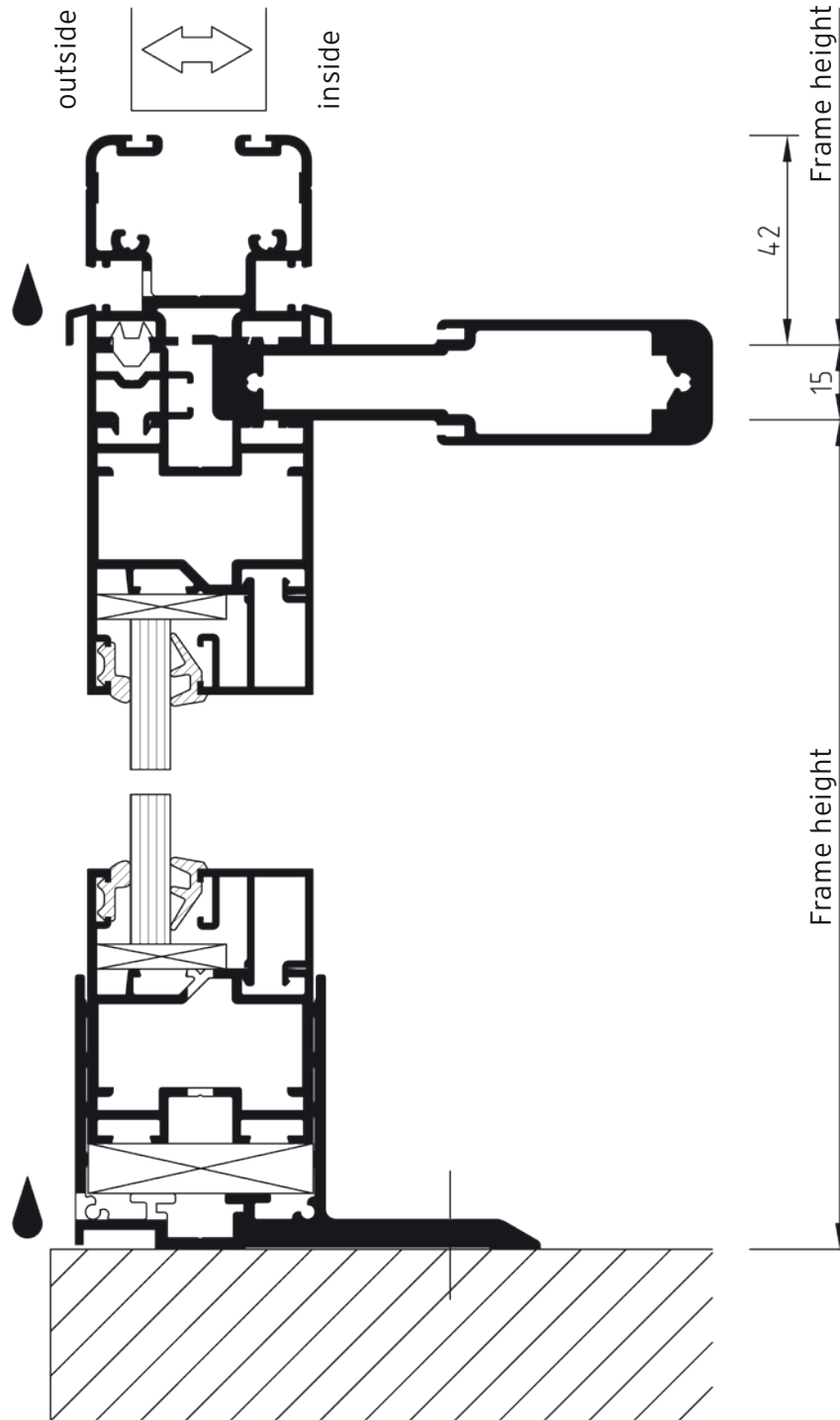
Please note that the above examples for the transition between unit and the structure of the building do not show the details of attachment, sealing and bedding (to ensure hard-wearing flooring).

Example 7



Please note that the above examples for the transition between unit and the structure of the building do not show the details of attachment, sealing and bedding (to ensure hard-wearing flooring).

Example 8



Please note that the above examples for the transition between unit and the structure of the building do not show the details of attachment, sealing and bedding (to ensure hard-wearing flooring).

