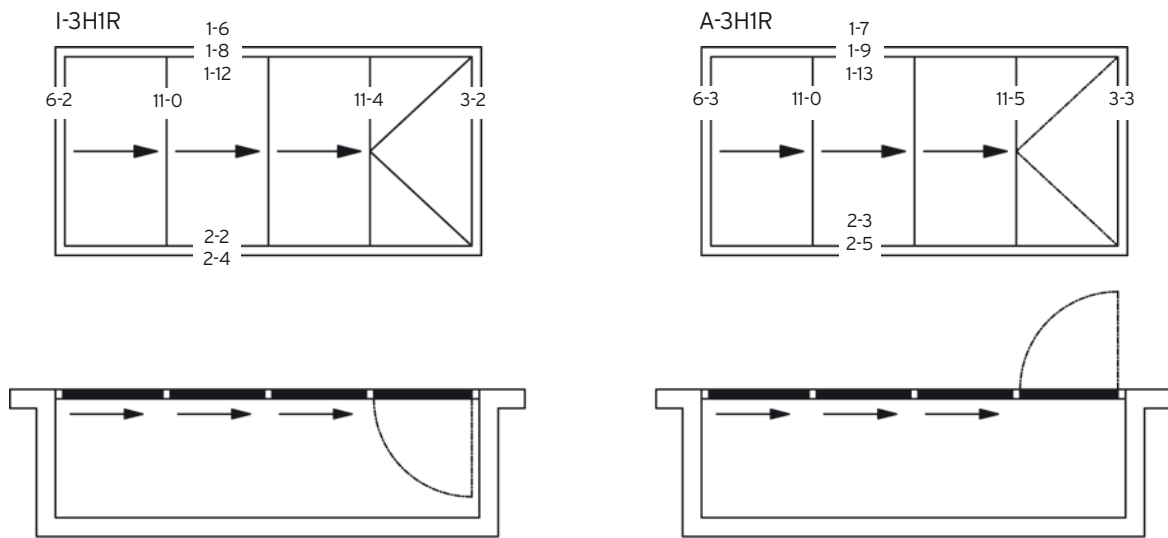
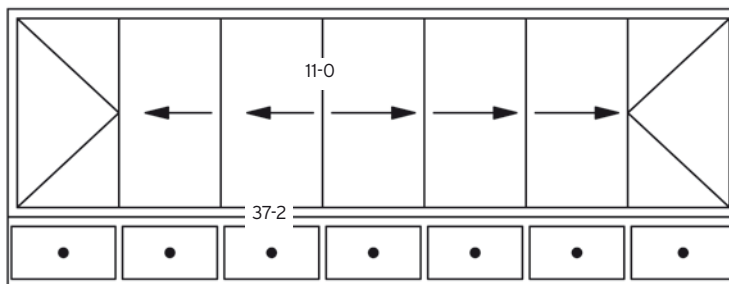


**View from inside**



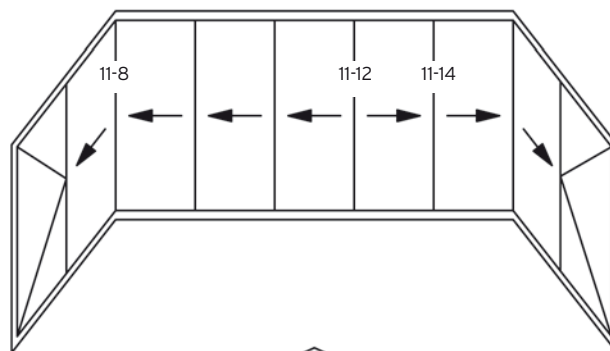
**All glass on balustrade**

**I-1L2H 3H1R**

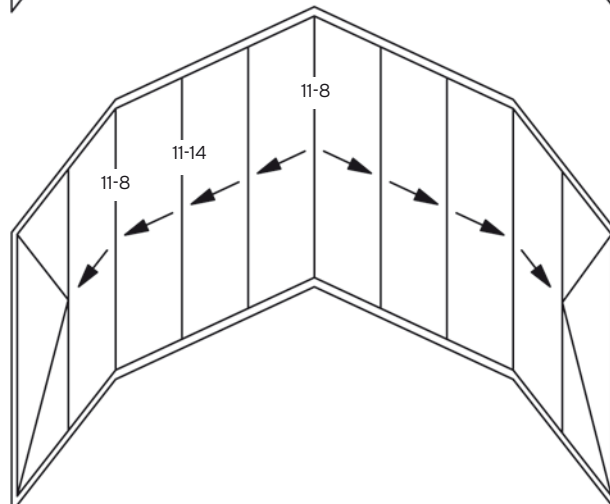


**All glass angular**

**I-1L4H 3H1R**

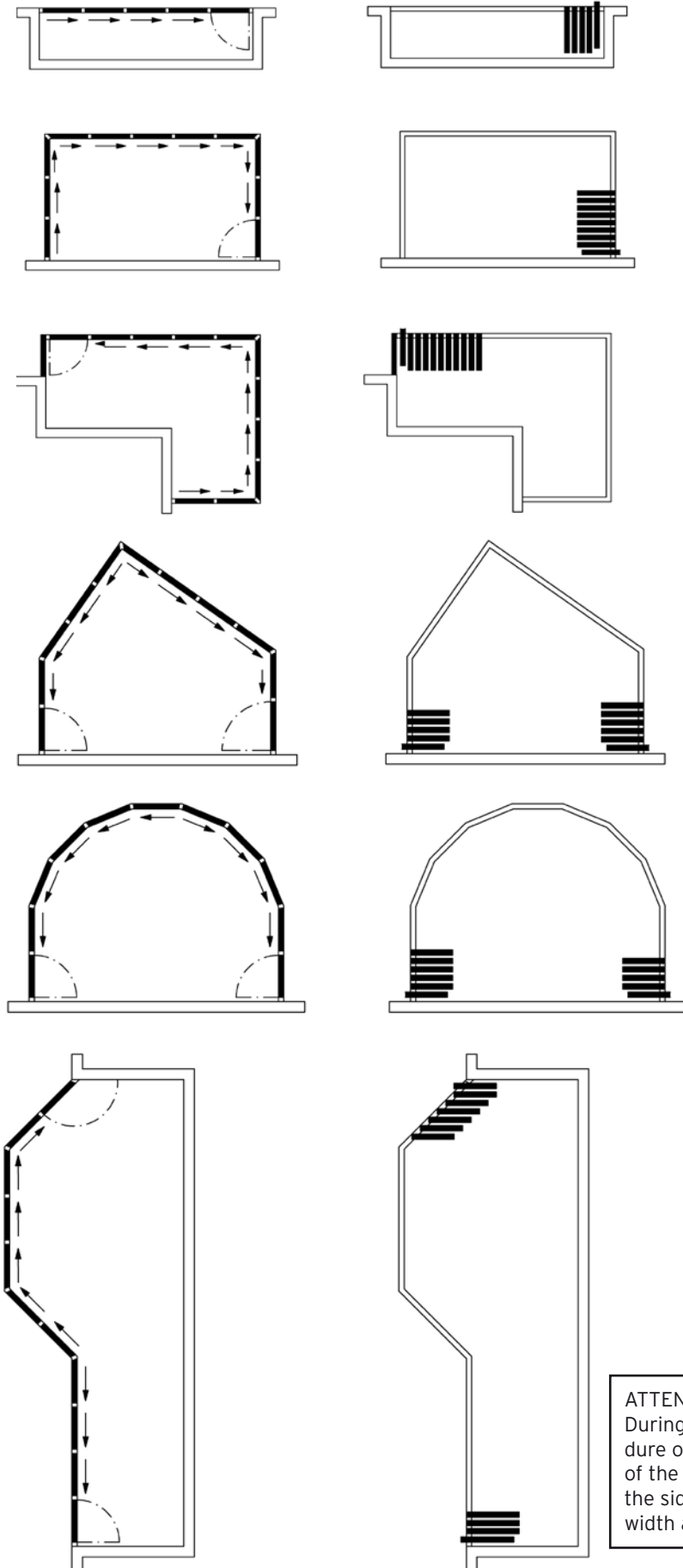


**I-1L4H 4H1R**



Possible Configurations: (As there can be many other options, please submit your ideas and sketches to SOLARLUX for evaluation.)

Stacking Options  
(Typ I illustrated)



**ATTENTION:**  
During the operation procedure over segments, the edge of the panel will stick out to the side, depending on the width and number of panels.