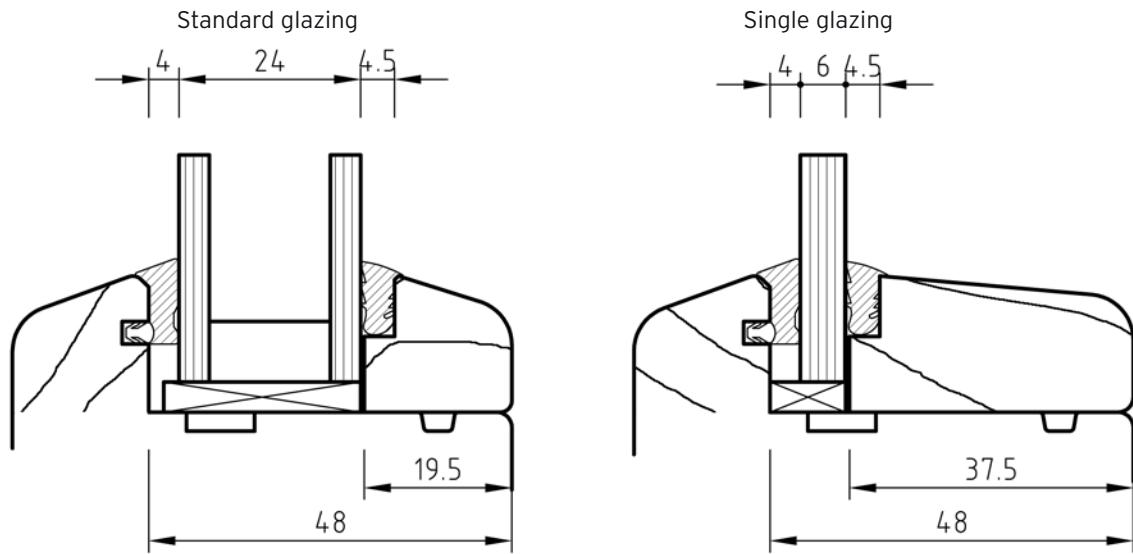
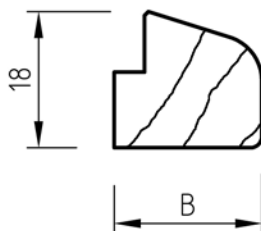


I Glazing

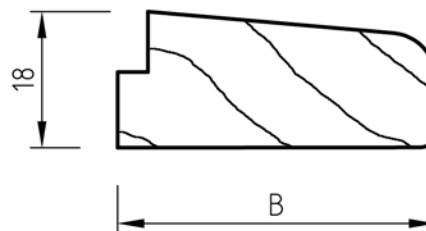


Glass thickness in mm	Width of glass bead in mm	Glazing bar
5	38,5	10-68-225-x
6	37,5	
8	35,5	
Standard glass thickness 24	19,5	10-68-200-x
26	17,5	
28	15,5	

Glazing bar 19,5mm
10-68-200-x



Glass bead for single glass wood
10-68-225-x



Glass gasket wood outside 12 x 4 mm
25-0-1091-x



Glass gasket wood inside wedge-shaped profile 4 mm
25-0-1201-x



Ared = Seen face (Surface aluminium outside) in mm	— · · · · · = High standard finish area or machined area
Amech = Mechanically treated face in mm (primary face)	— — — — — = Standard finish area (secondary face)

