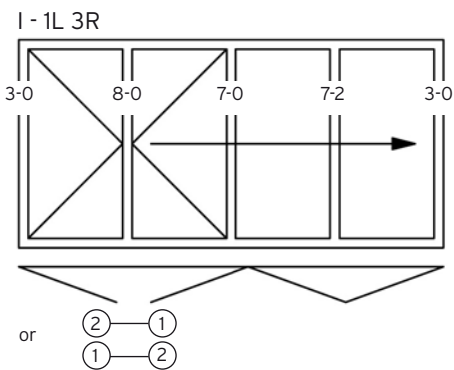
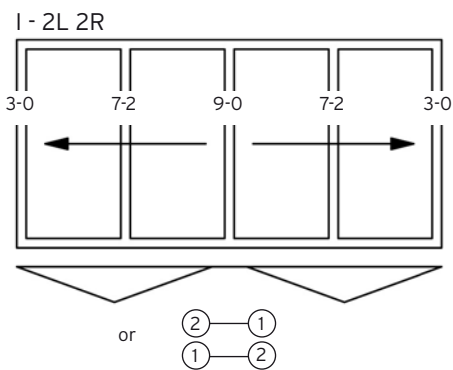
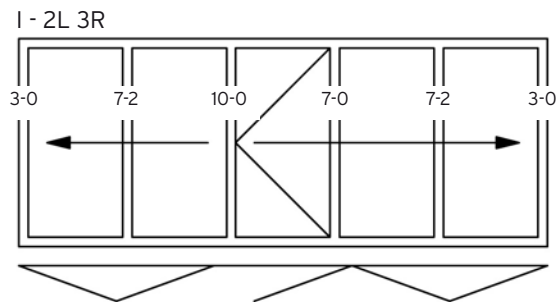
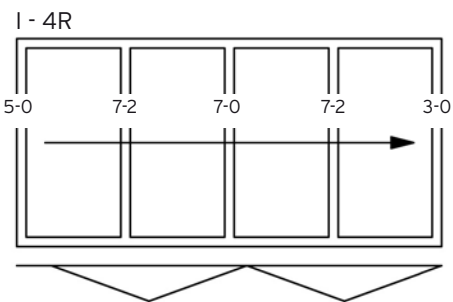
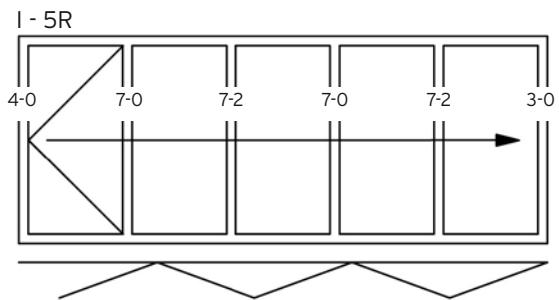
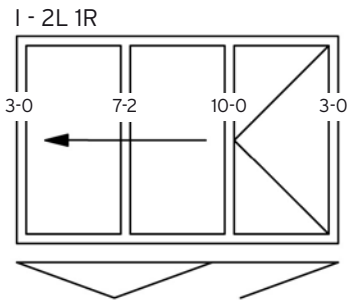
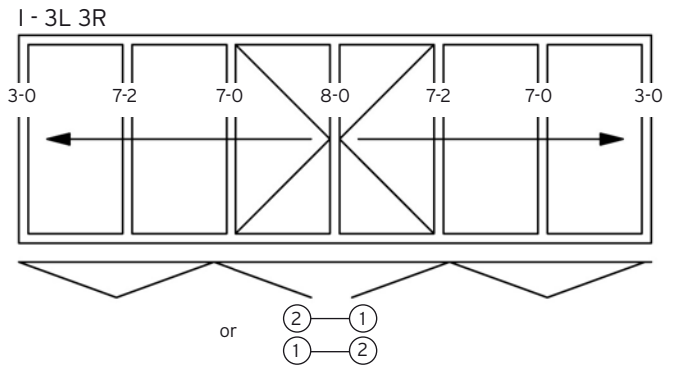
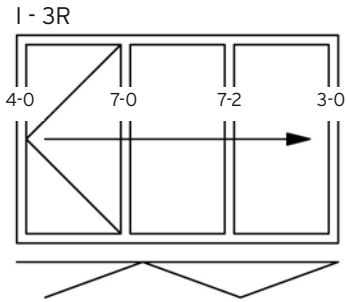
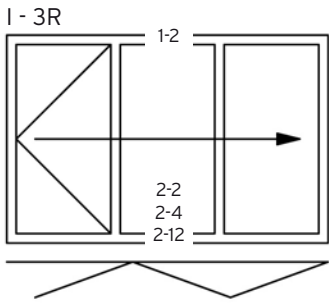


View from inside

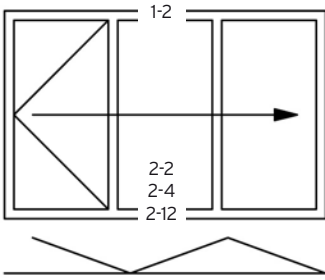
- ① primary panel
- ② secondary panel



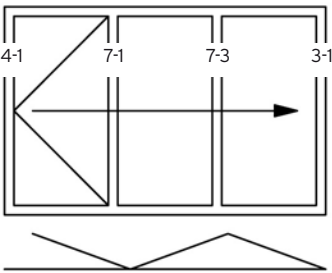
View from inside

- ① primary panel
- ② secondary panel

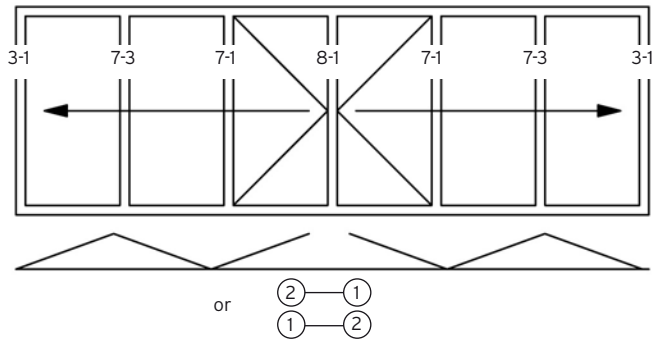
A - 3R



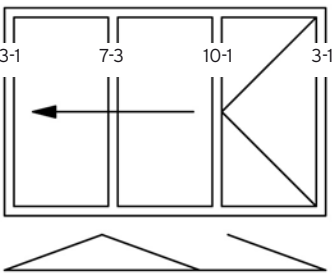
A - 3R



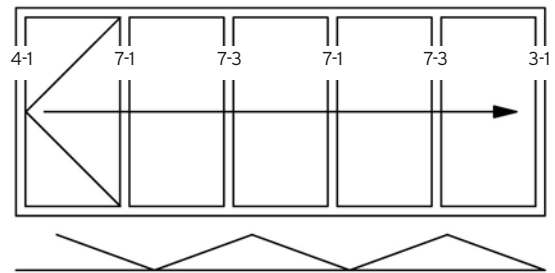
A - 3L 3R



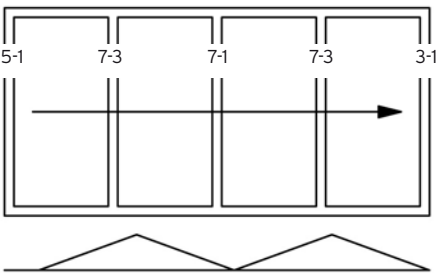
A - 2L 1R



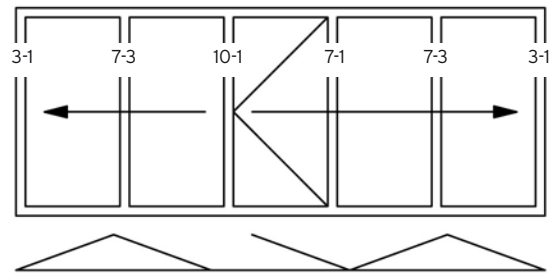
A - 5R



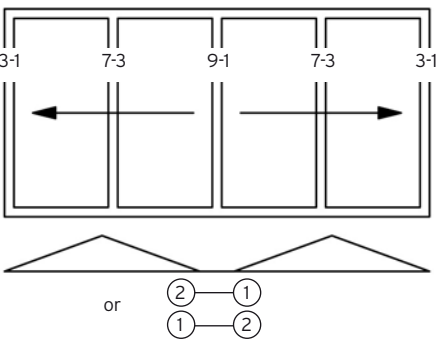
A - 4R



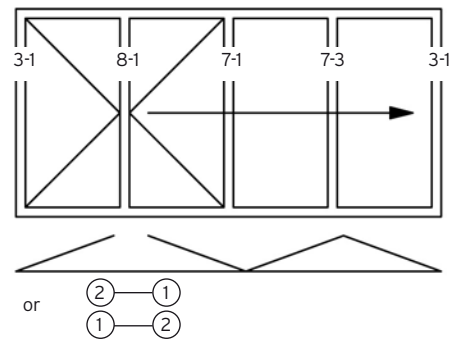
A - 2L 3R



A - 2L 2R

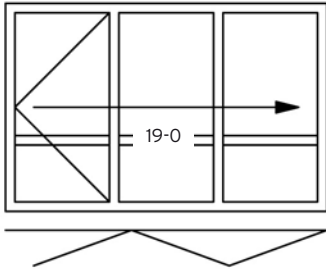


A - 1L 3R

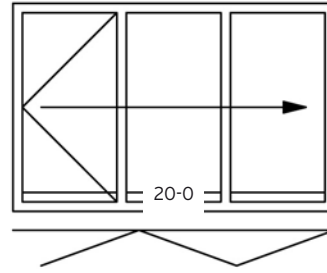


View from inside

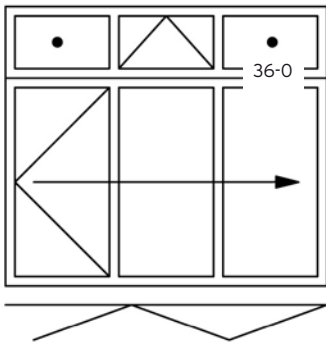
Folding façade with transom



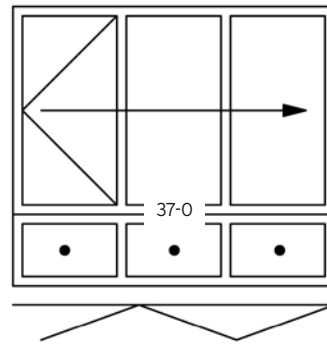
Folding façade with base profile extension



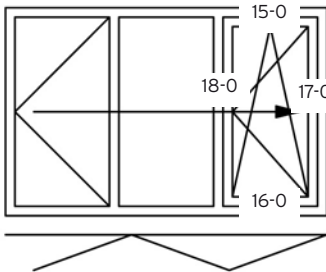
Folding façade with overhead panel



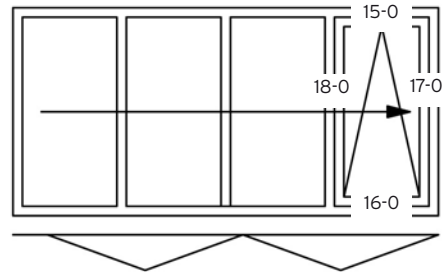
Folding façade on parapet



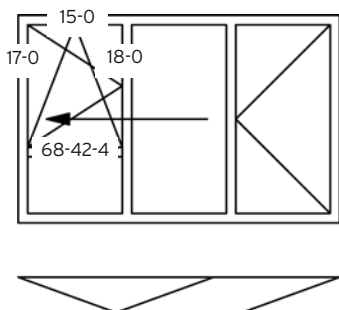
Folding façade with turn and tilt panel in the folding façade



Folding façade with integrated tilt panel

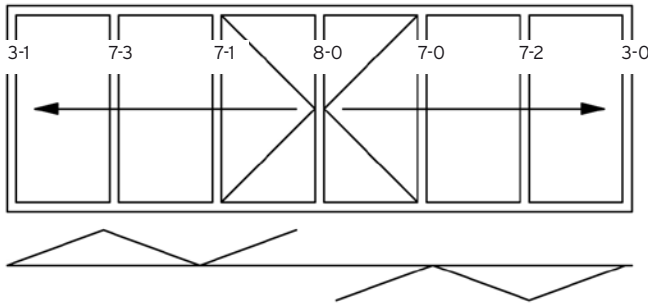


Folding façade with turn and tilt panel above cross bar



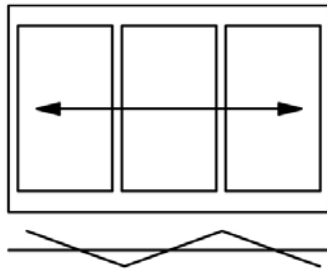
View from inside

A - 3L I - 3R



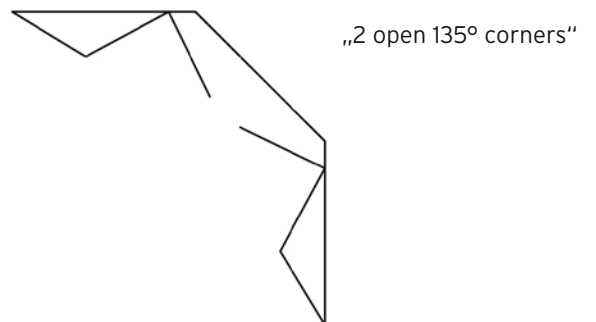
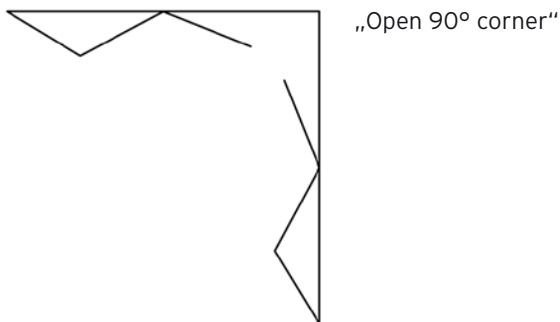
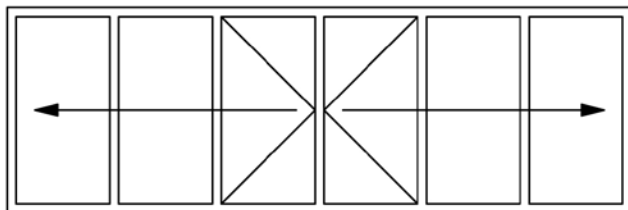
Partly inswing,
Partly outswing

3 LR - centre pivot



Floor plan examples:
In the case of an angled configuration the design is adapted to the situation and functional requirements.

I - 3L 3R



A - 4 x 2LR - segmented

