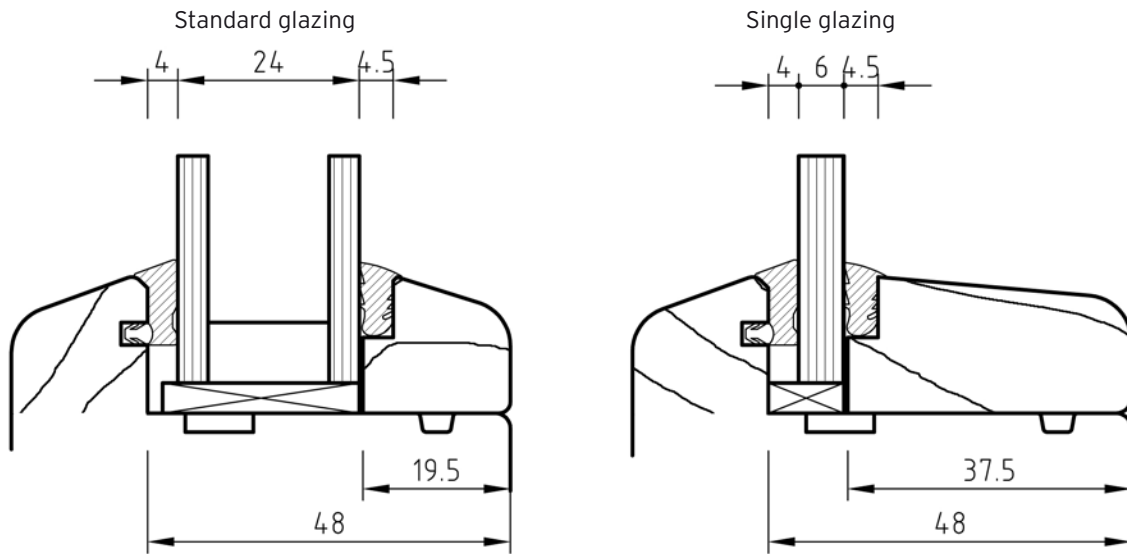
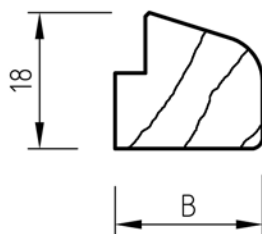


I Glazing and sealing

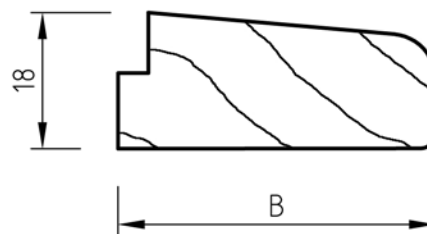


Glass thickness in mm	Width of glass bead in mm	Glazing bar
5	38,5	10-68-225-x
6	37,5	
8	35,5	
Standard glass thickness 24	19,5	10-68-200-x
26	17,5	
28	15,5	

Glazing bar 19,5 mm
10-68-200-x



Glass bead for single glass wood
10-68-225-x



Glass gasket wood outside 12 x 4 mm
25-0-1091-x



Glass gasket wood inside wedge-shaped profile 4 mm
25-0-1201-x



<p>Ared = Seen face (Surface aluminium outside) in mm</p> <p>Amech = Mechanically treated face in mm (primary face)</p>	<p>— · · · · · = High standard finish area or machined area</p> <p>— — — — — = Standard finish area (secondary face)</p>
---	--

