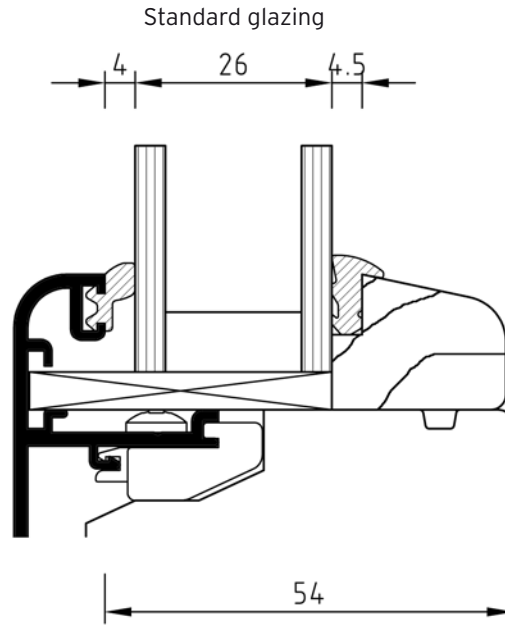
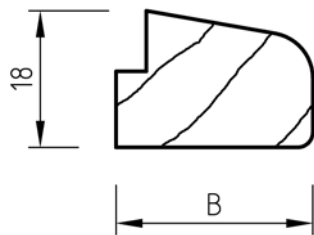


I Glazing



Glass thickness in mm	Width of glass bead in mm	Glazing bar
Standard glass thickness 26	23	10-90-26-x
28	23	
30	20	

Glazing bar  
10-90-26-x



Glass sealing outside 4mm  
25-90-03-x



Glass gasket wood inside wedge-shaped  
profile 4 mm  
25-0-1201-x



<p>Ared = Seen face (Surface aluminium outside) in mm</p> <p>Amech = Mechanically treated face in mm (primary face)</p>	<p>— · · · · — · · · · — = High standard finish area or machined area</p> <p>— — — — — = Standard finish area (secondary face)</p>
---	--

