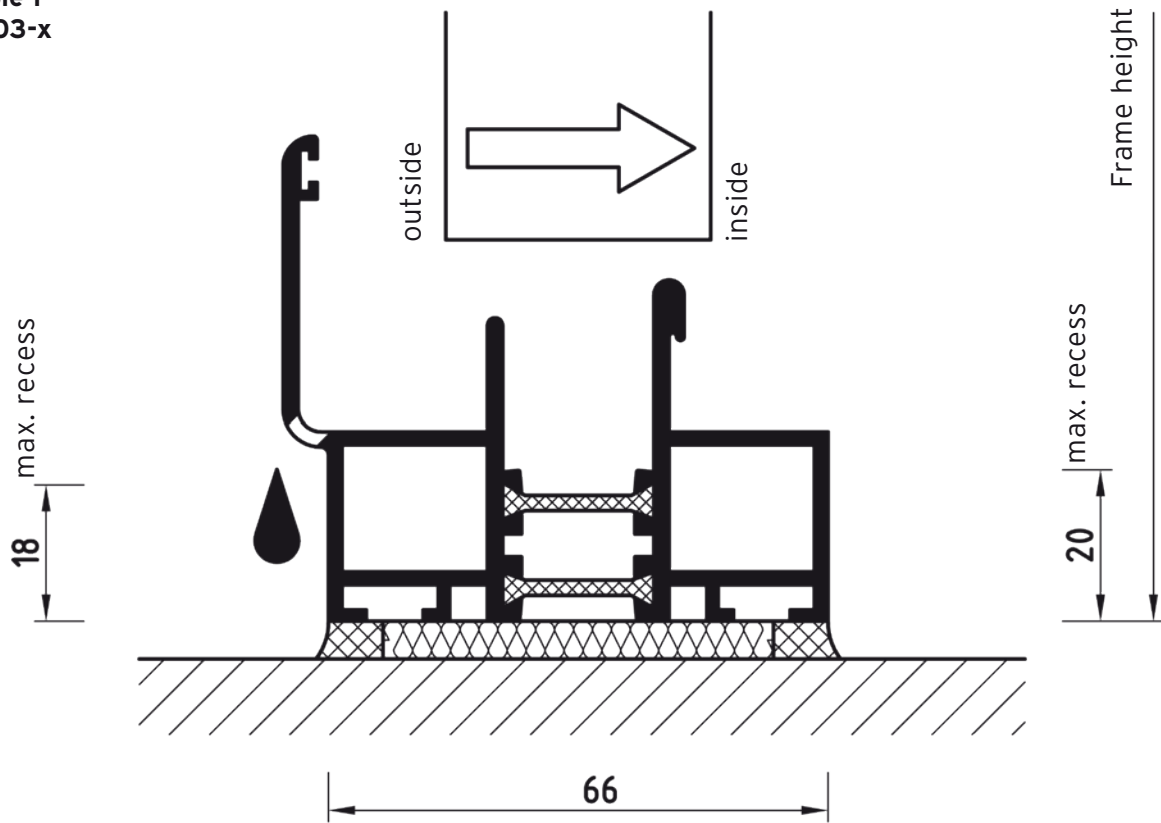
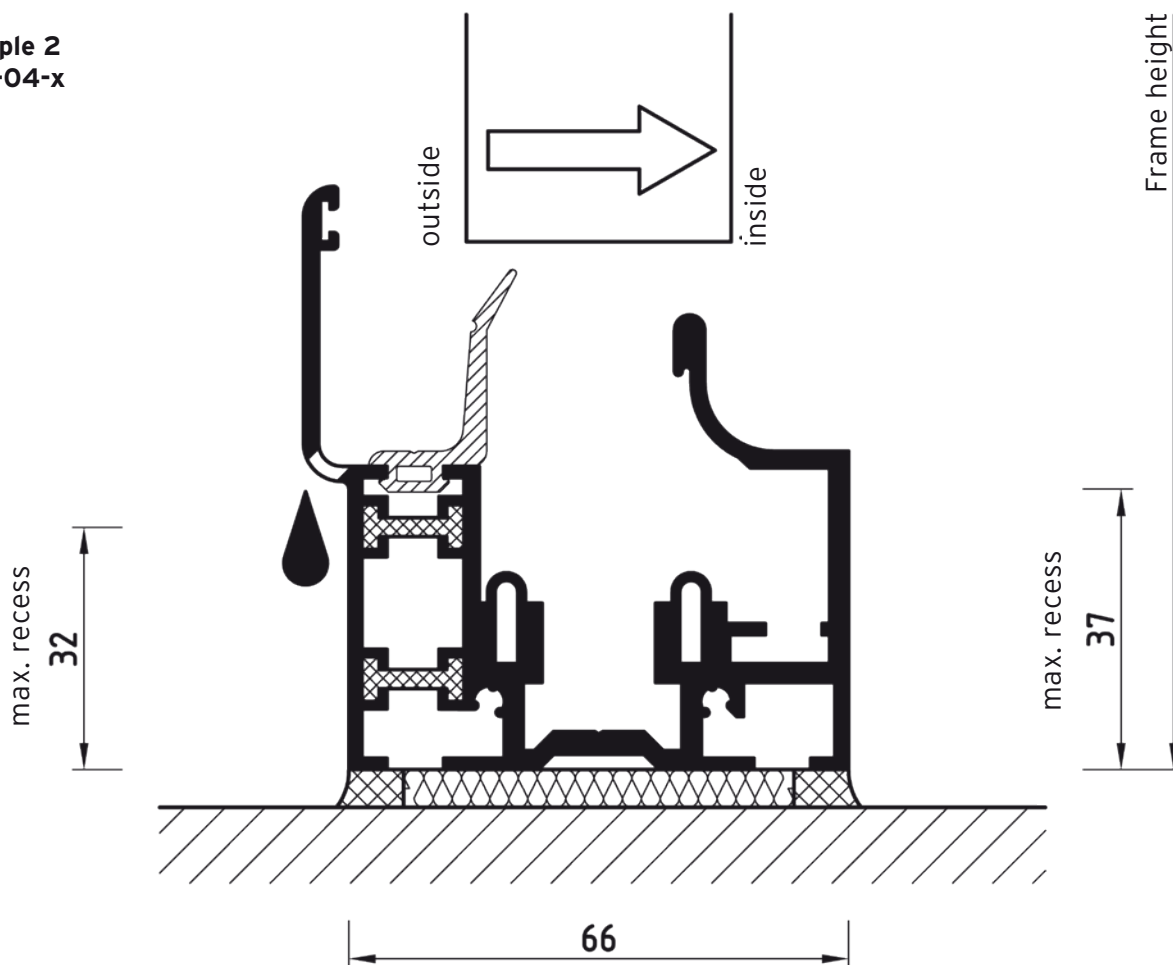


Example 1
5-90-03-x

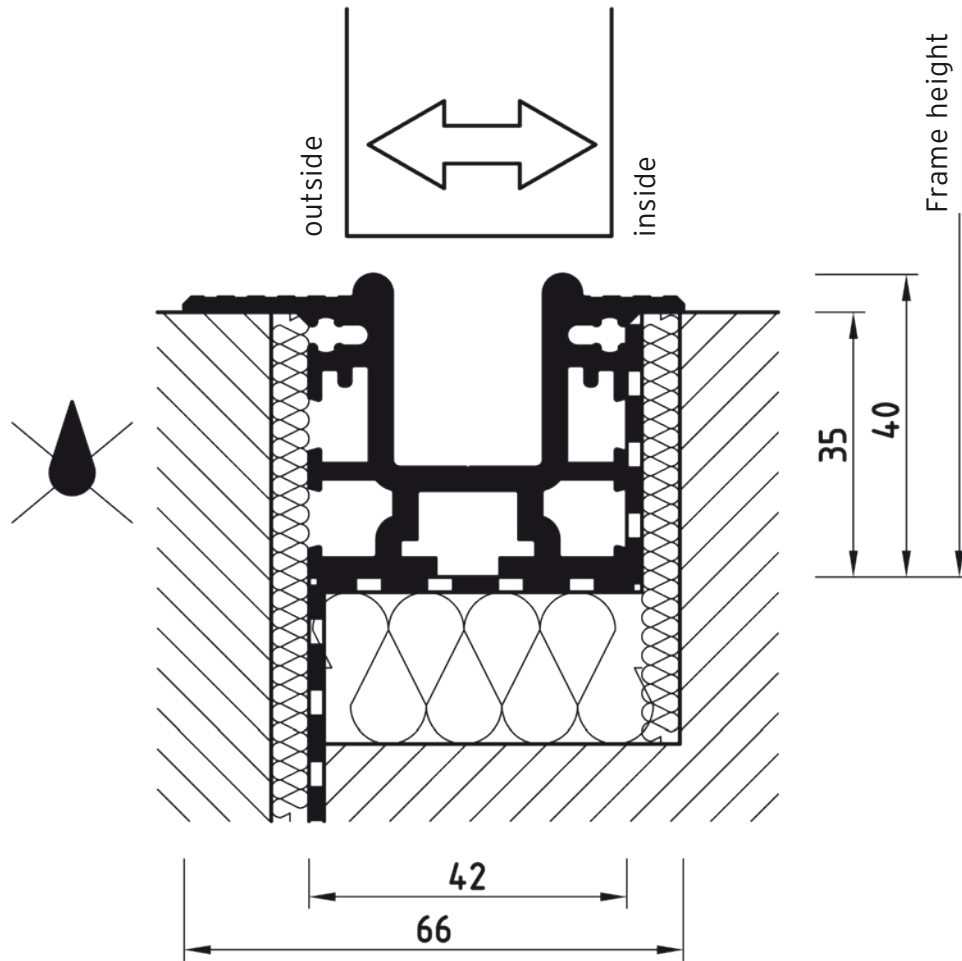



Example 2
5-90-04-x



Please note that the above examples for the transition between unit and the structure of the building do not show the details of attachment, sealing and bedding (to ensure hard-wearing flooring).

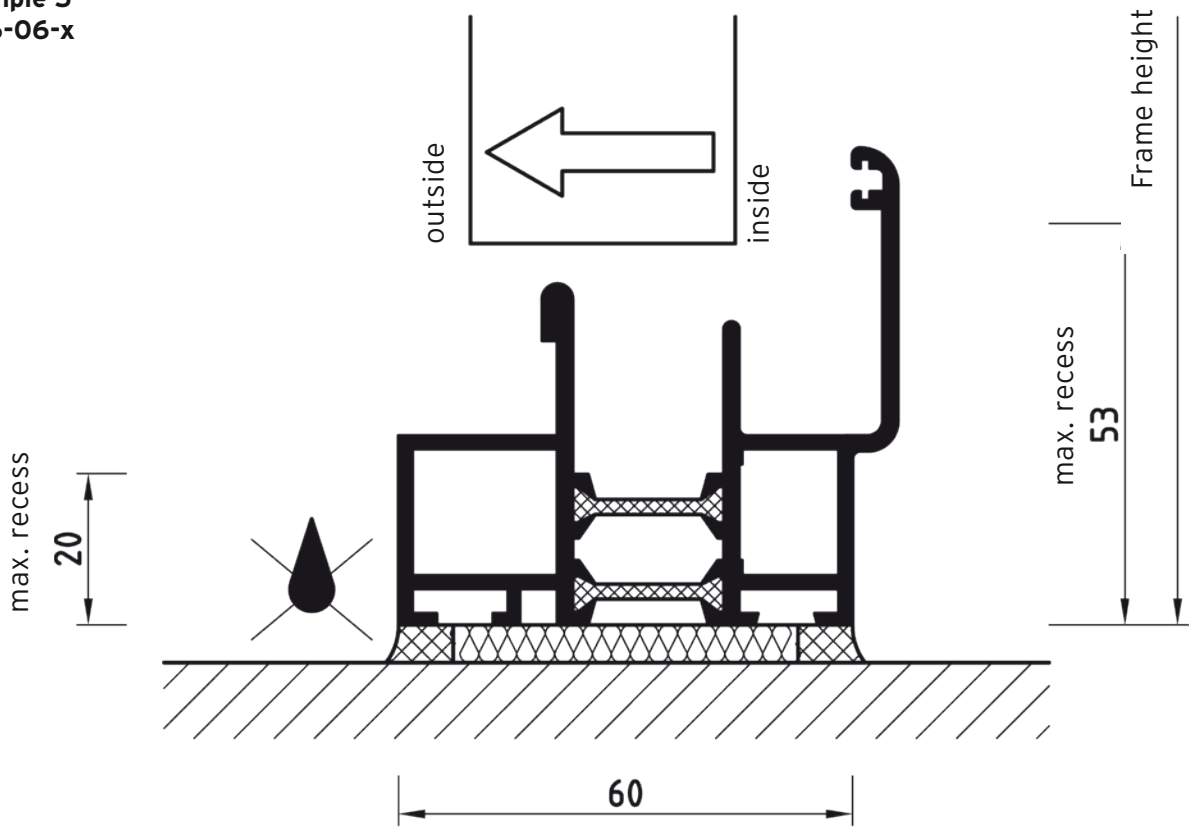
Example 3
5-71-23-x



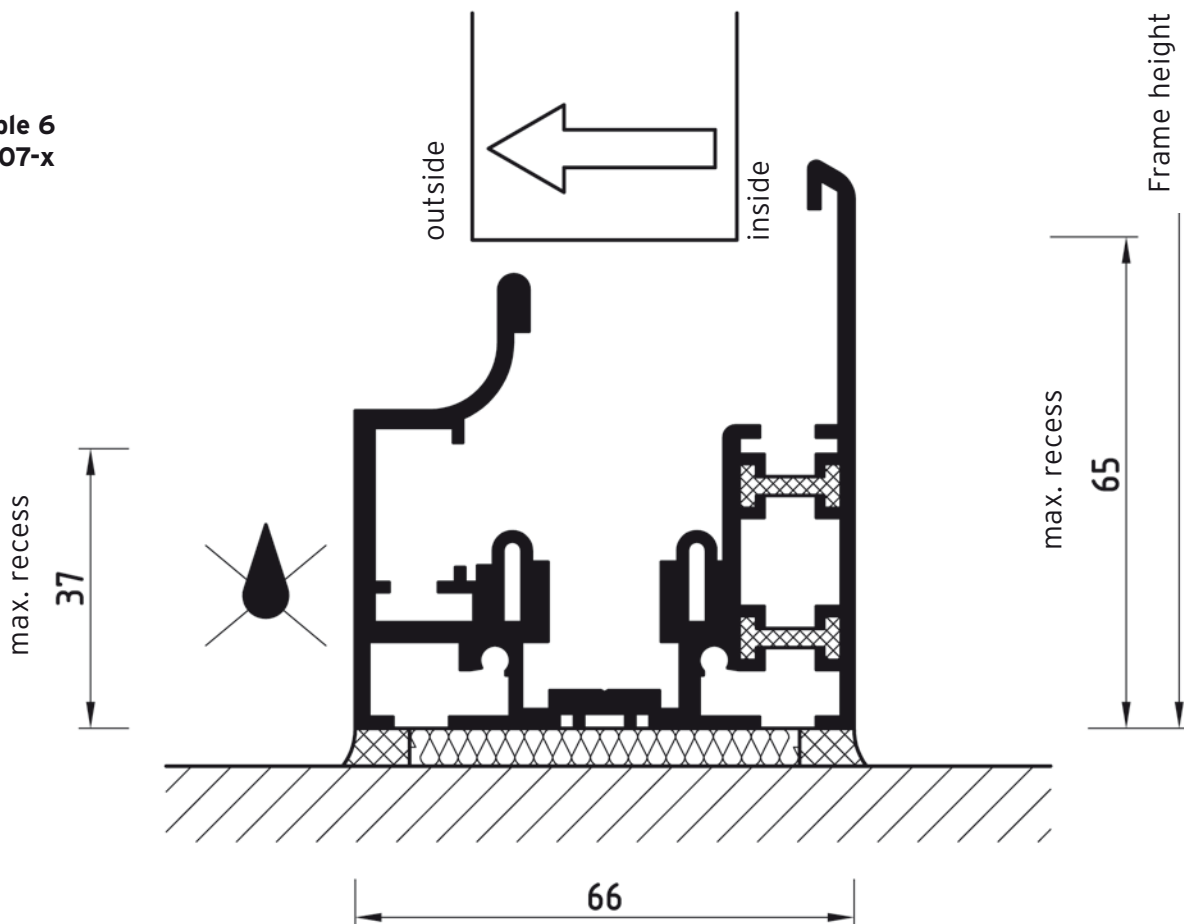
 - no factory-provided drainage

Please note that the above examples for the transition between unit and the structure of the building do not show the details of attachment, sealing and bedding (to ensure hard-wearing flooring).

Example 5
5-66-06-x



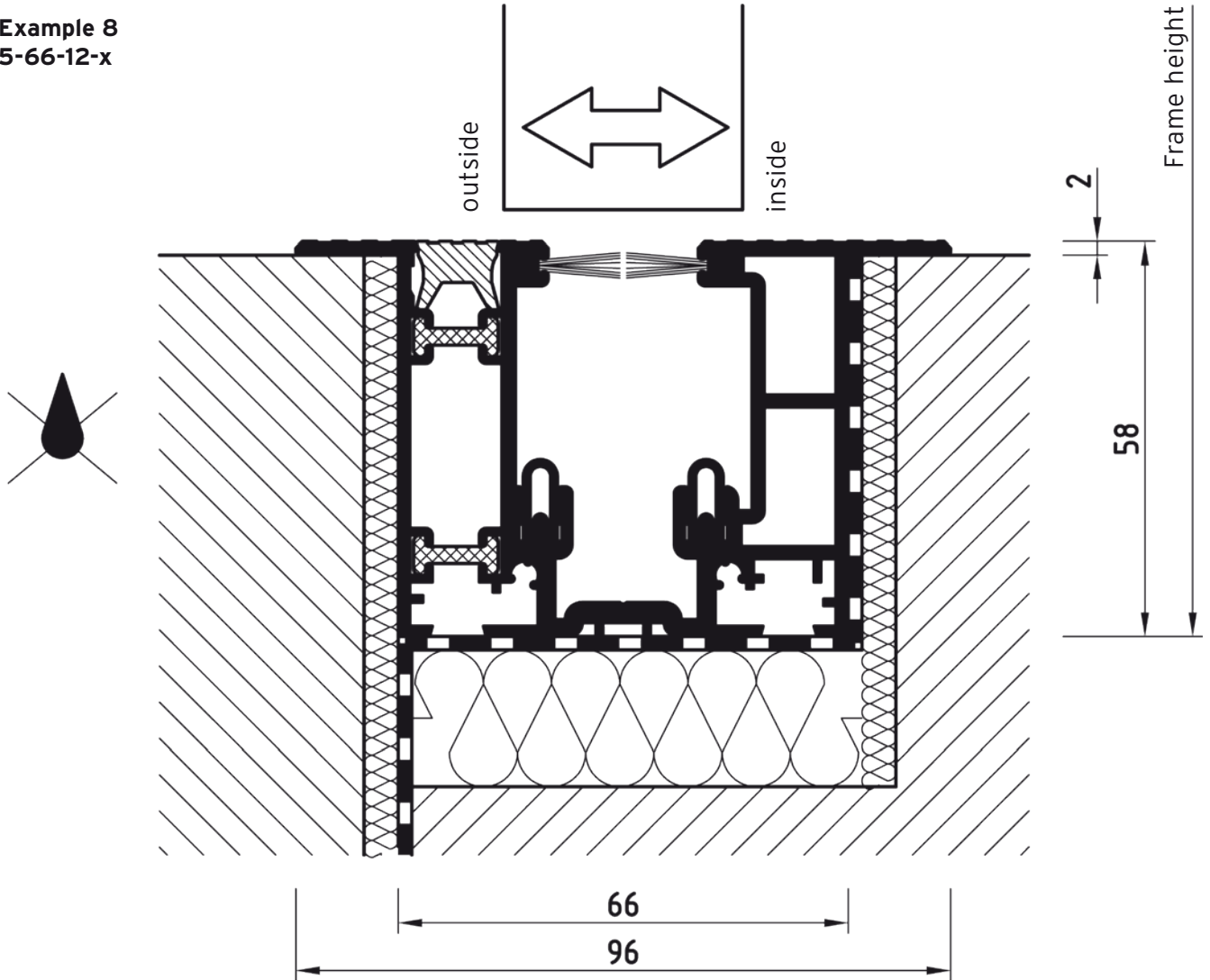
Example 6
5-66-07-x



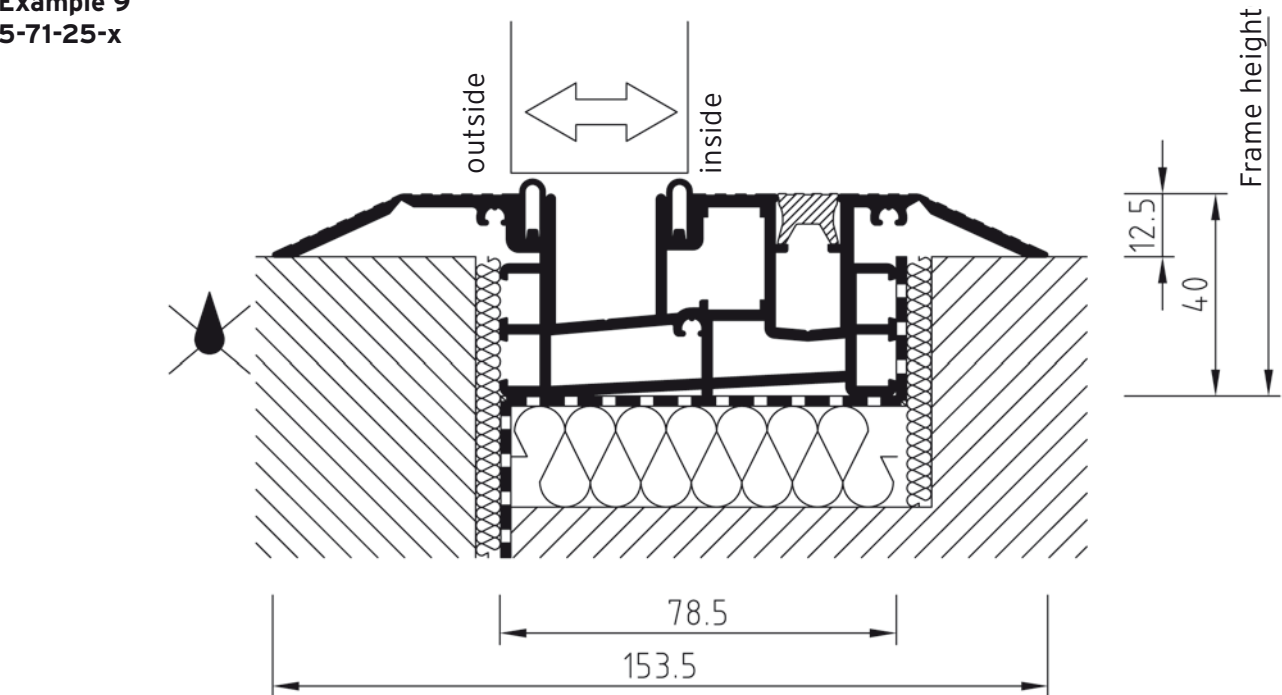
☹ - no factory-provided drainage

Please note that the above examples for the transition between unit and the structure of the building do not show the details of attachment, sealing and bedding (to ensure hard-wearing flooring).

Example 8
5-66-12-x



Example 9
5-71-25-x



☹ - no factory-provided drainage

Please note that the above examples for the transition between unit and the structure of the building do not show the details of attachment, sealing and bedding (to ensure hard-wearing flooring).