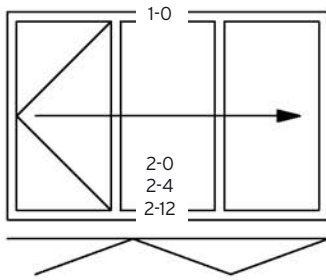


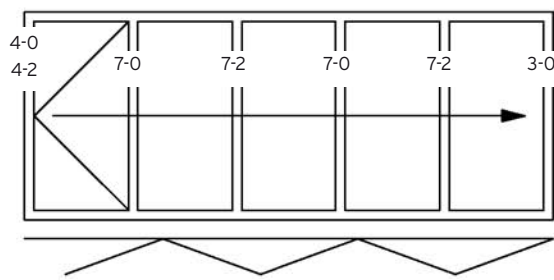
View from inside

- ① primary panel
- ② secondary panel

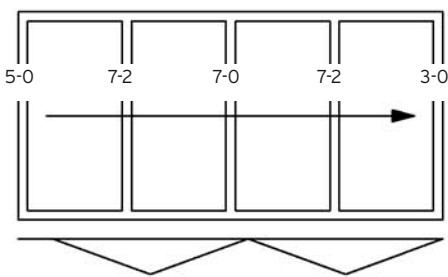
I - 3R



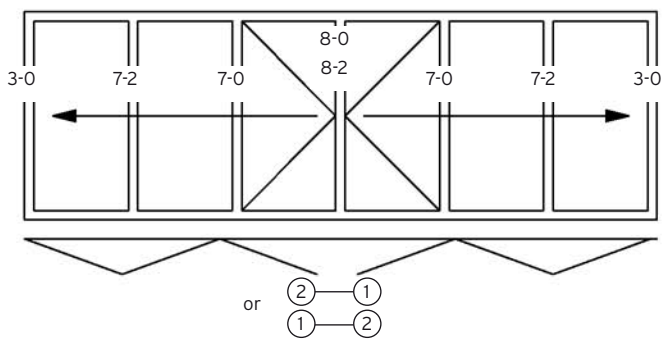
I - 5R



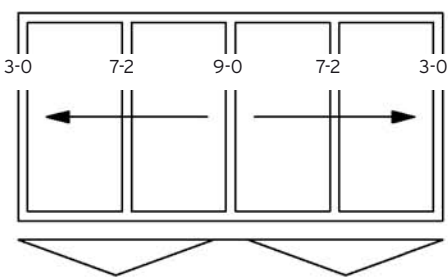
I - 4R



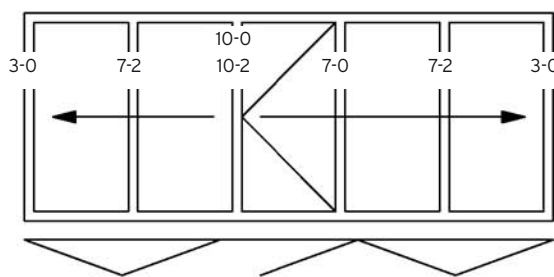
I - 3L 3R



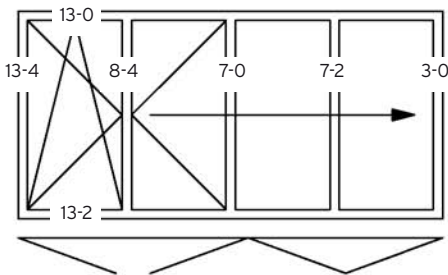
I - 2L 2R



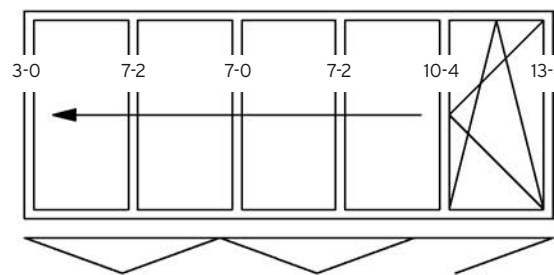
I - 2L 3R



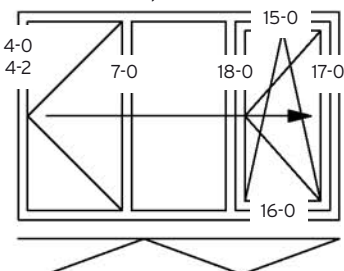
I - 1DKL 3R



I - 4L 1DKR

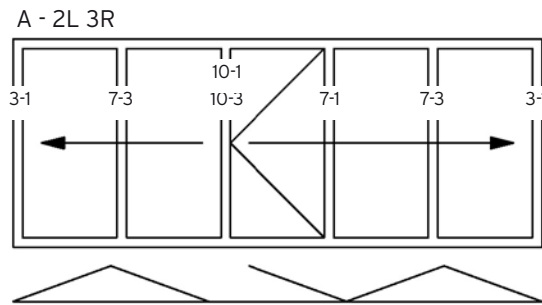
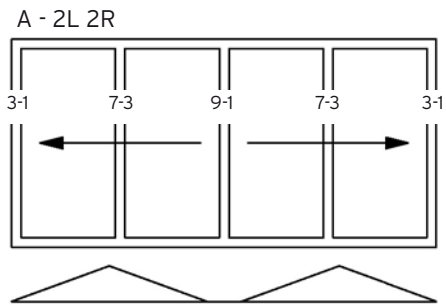
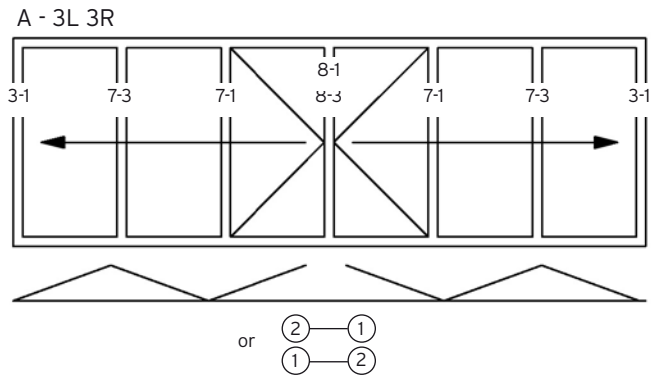
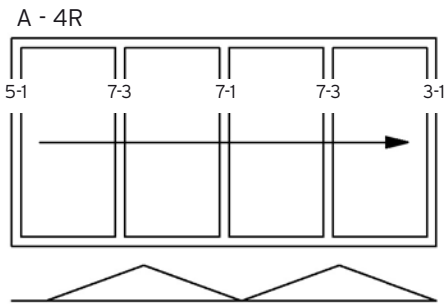
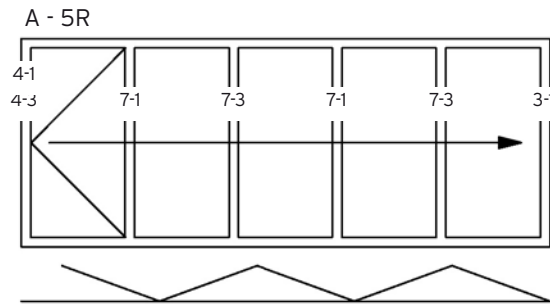
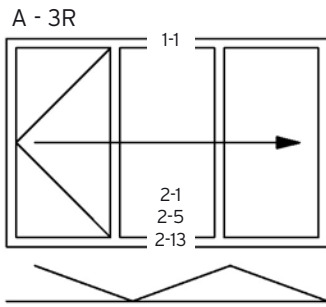


Folding façade with integrated tilt and turn panel

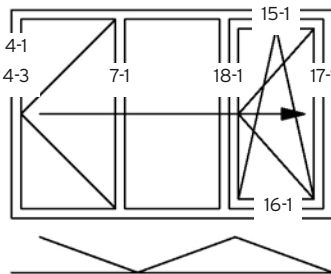


View from inside

- ① primary panel
- ② secondary panel

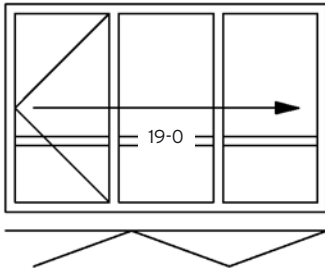


Folding façade with integrated tilt and turn panel

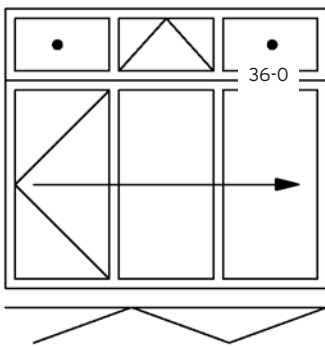


View from inside

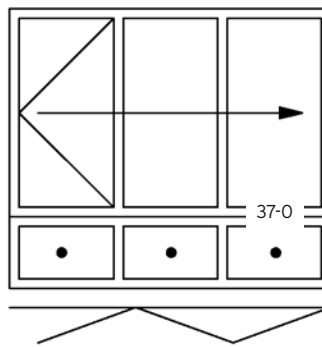
Folding façade with transom



Folding façade with overhead panel



Folding façade on parapet



Floor plan examples:
In the case of an angled configuration the design is adapted to the situation and functional requirements.

