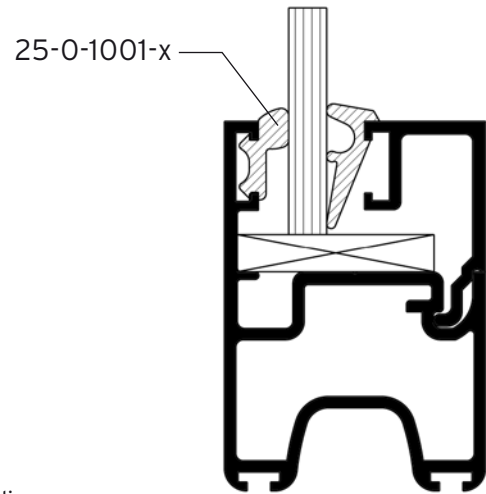


Glass thickness	Glass bead	Sealing
5-18 mm		
5	5-35-08-x	25-0-1005-x
6	5-35-08-x	25-0-1005-x
7	5-35-16-x	25-0-1006-x
8	5-35-16-x	25-0-1006-x
18	5-35-09-x	25-0-1004-x



Glass sealing
25-0-1004-x



Installation: 2,5 - 3,5 mm

Glass sealing
25-0-1005-x



Installation: 3,5 - 5,5 mm

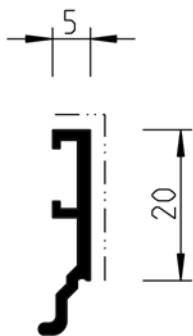
Glass sealing
25-0-1006-x



Installation: 5,5 - 7,5 mm

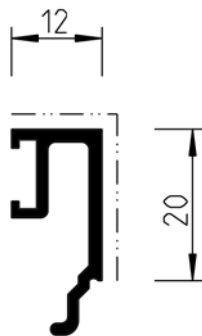
Glazing bar profile 5 mm
5-35-09-x

A_{red} = 81 mm
A_{mech} = 25 mm



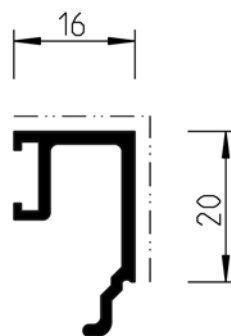
Glazing bar profile 12 mm
5-35-16-x

A_{red} = 114 mm
A_{mech} = 32 mm



Glazing bar profile 16 mm
5-35-08-x

A_{red} = 122 mm
A_{mech} = 36 mm



<p>A_{red} = Seen face (Surface aluminium outside) in mm</p> <p>A_{mech} = Mechanically treated face in mm (primary face)</p>	<p>— · · · — · · · — · · · — · · · — = High standard finish area or machined area</p> <p>— — — — — = Standard finish area (secondary face)</p>
---	--

